

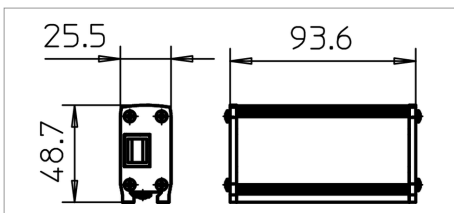
## Technical data sheet

### Surge protection for high-speed networks up to 10 GBit (Class EA/CAT6A)



Data cable protection devices for high-speed networks

- High-quality RJ-45 sockets
- Low protection level at high current load
- Support for Power over Ethernet + up to 1 A
- Tested transmission quality in networks up to 10 GBit (Class EA) or CAT6A
- Quick installation through connectable version



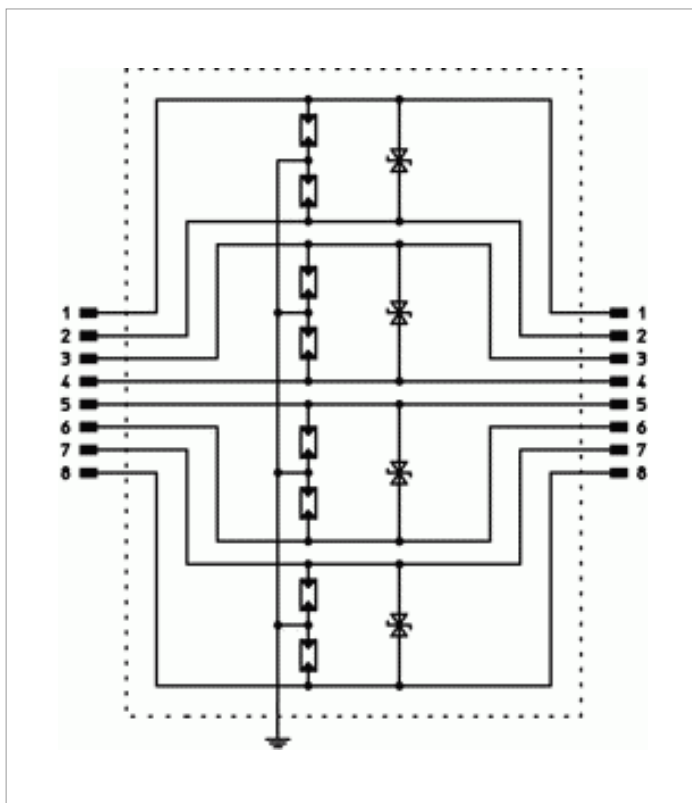
Application example: 10 GBit Ethernet, 10/100 MBit Ethernet, PoE applications

Type	Version	Connection system	Pack. pcs	Weight kg/100 pcs.	Art.-No.
ND-CAT6A/EA	8-pole	RJ45	1	16.600	5081800

/pc.



## Connection-/Circuit diagram



Article number				<b>5081800</b>
U max DC	$U_c$ DC	V	58	
Lightning protection Zone LPZ				1?3
Channel performance ISO/IEC				Class EA
Channel performance Ansi/EA				CAT 6A
Total impulse durability into C2 (8/20)			kA	7
Impulse durability int C2 (wire-wire)			kA	0.15
Voltage protection level line-earth			V	<700
Voltage protection level line-line			V	<120
Rated current	$I_L$	A	1	
Transmission frequency			f	500 MHz
Connection system				RJ45
Testing standard				IEC 61643-21

## Legend



5-year warranty



Communautés Européennes, EC declaration of conformity according to EC directives



Power over Ethernet



Transition from LPZ 1 to LPZ 3



Channel Performance to American EIA/TIA standard



Channel Performance to ISO / IEC 11801